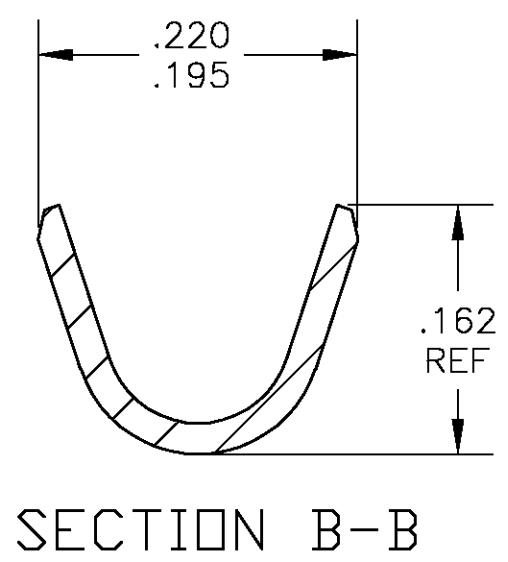
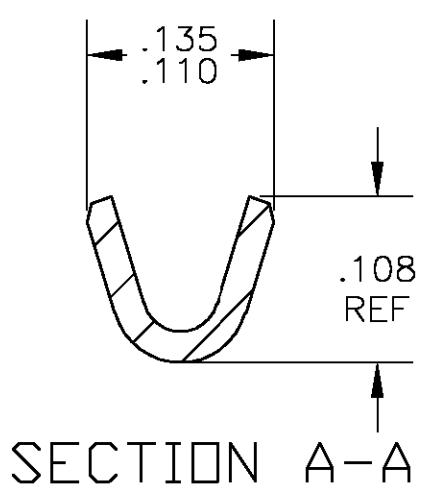
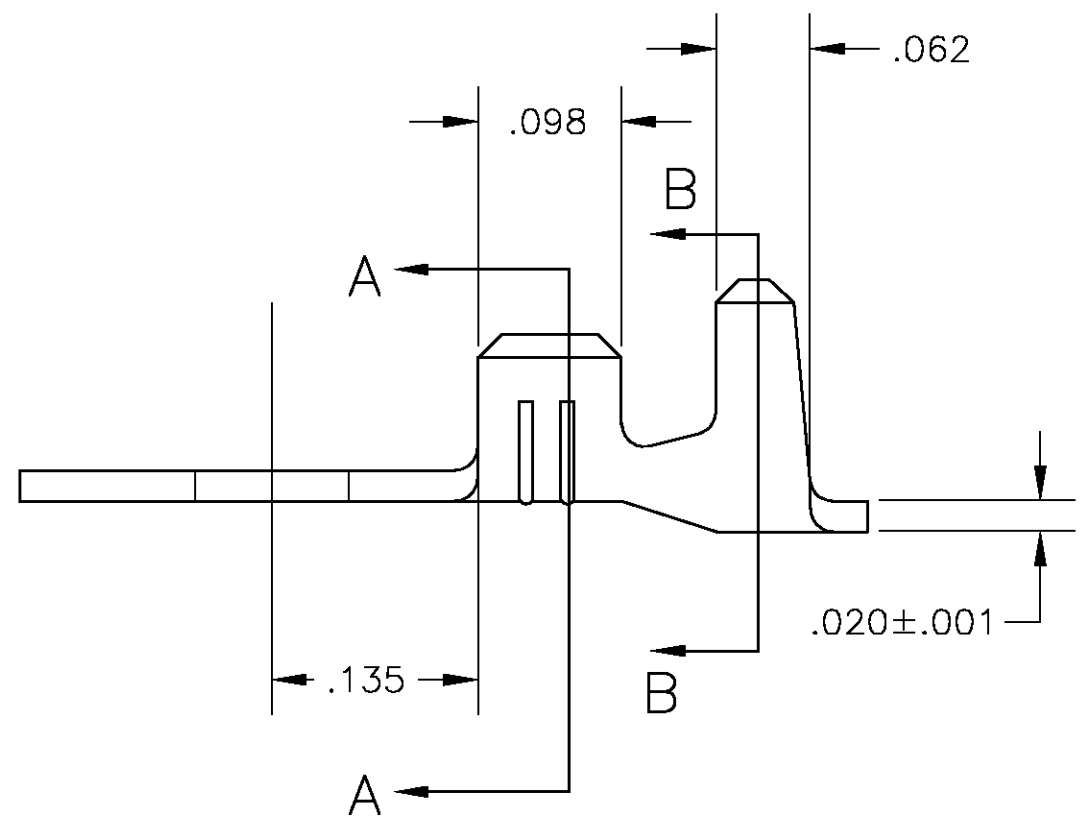
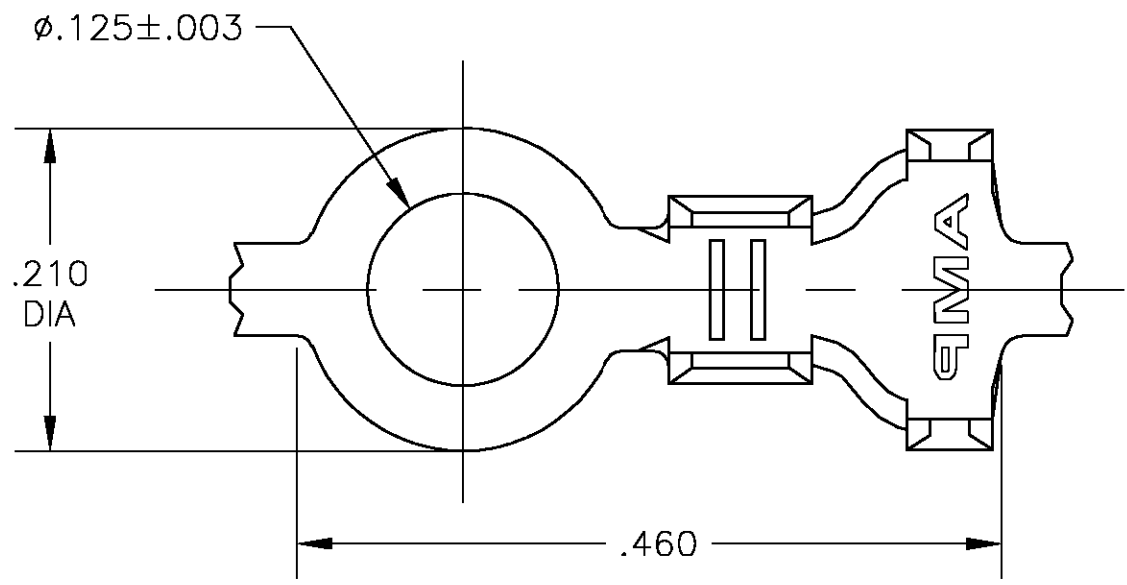


THIS DRAWING IS UNPUBLISHED. RELEASED FOR PUBLICATION
 © COPYRIGHT BY TYCO ELECTRONICS CORPORATION. ALL RIGHTS RESERVED.

LOC	DIST	REVISIONS					
		P	LTR	DESCRIPTION	DATE	DWN	APVD
AF	50		B	REDRAWN PER 0G3A-0122-03	19FEB03	JR	DD

- 1 CONTINUOUS STRIP ON REELS
- 2 WIRE SIZE IS 22-20 AWG
- 3 INSULATION RANGE IS .070-.120 DIA



62638-1
PART NO

THIS DRAWING IS A CONTROLLED DOCUMENT.		DWN JR RUTH 19FEB03	Tyco Electronics Corporation Harrisburg, PA 17105		
DIMENSIONS: INCHES		CHK D DECKER 19FEB03			
		APVD D DECKER 19FEB03	NAME RING TONGUE		
TOLERANCES UNLESS OTHERWISE SPECIFIED:		PRODUCT SPEC	-		
0 PLC ± -		APPLICATION SPEC	-		
1 PLC ± -		WEIGHT	-		
2 PLC ± -		SIZE	CAGE CODE	DRAWING NO	RESTRICTED TO
3 PLC ± .010		A3 00779		C-62638	-
4 PLC ± -		CUSTOMER DRAWING			
ANGLES ± 1'		SCALE	SHEET	OF	REV
MATERIAL 082 BRASS		8:1		1 OF 1	B
FINISH .000080 MIN TIN					